

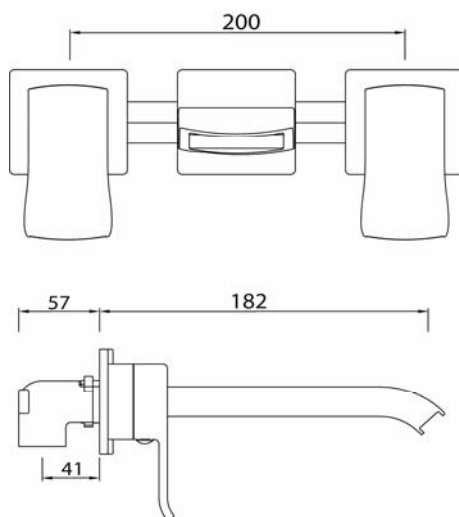
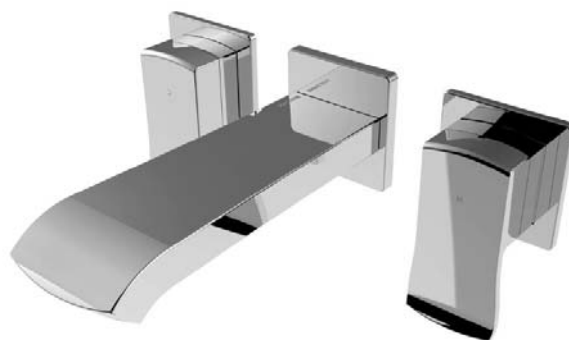
TECHNICAL DATA SHEET

BRISTAN

DESCENT Wall Mounted Bath Filler

Product Specification

Product Code: DSC WMBF C
Finish: Chrome plated
Product Type: Contemporary
Construction: Bodies are of all brass construction and is designed to conform to BS EN 200
Valve Type: 3/4" CD Valve 1/4 Turn
Supply: Suitable for all plumbing systems
Inlet: 22mm Compression Threaded Tail
Working Pressures: Min 0.5 Bar Max 5.0 Bar



Additional Information

- Chrome plated to BS EN 248.
- Supplied with metal handles.

Technical Advice: For further information please call 0844 7016273 or email customer@bristan.com.

Guarantee: 5 years covering manufacturing faults.

Flow Rates (litres per minute)

System Pressure	0.5 bar	1.0 bar	2.0 bar	3.0 bar	4.0 bar	5.0 bar
DSC WMBF C (mixed)	22.4	32.5	45.2	55.4	63.9	71.4